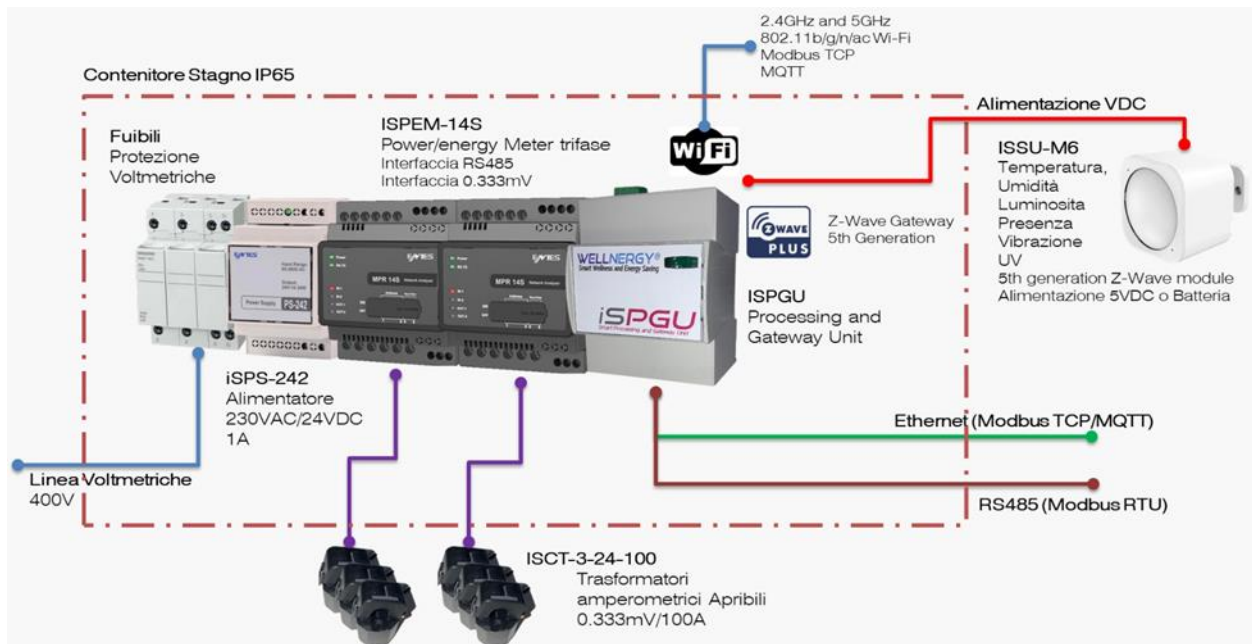
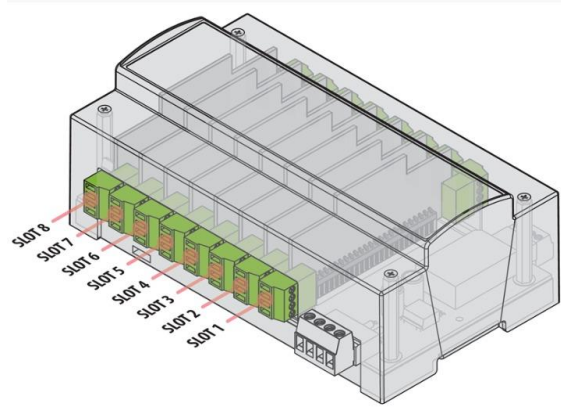
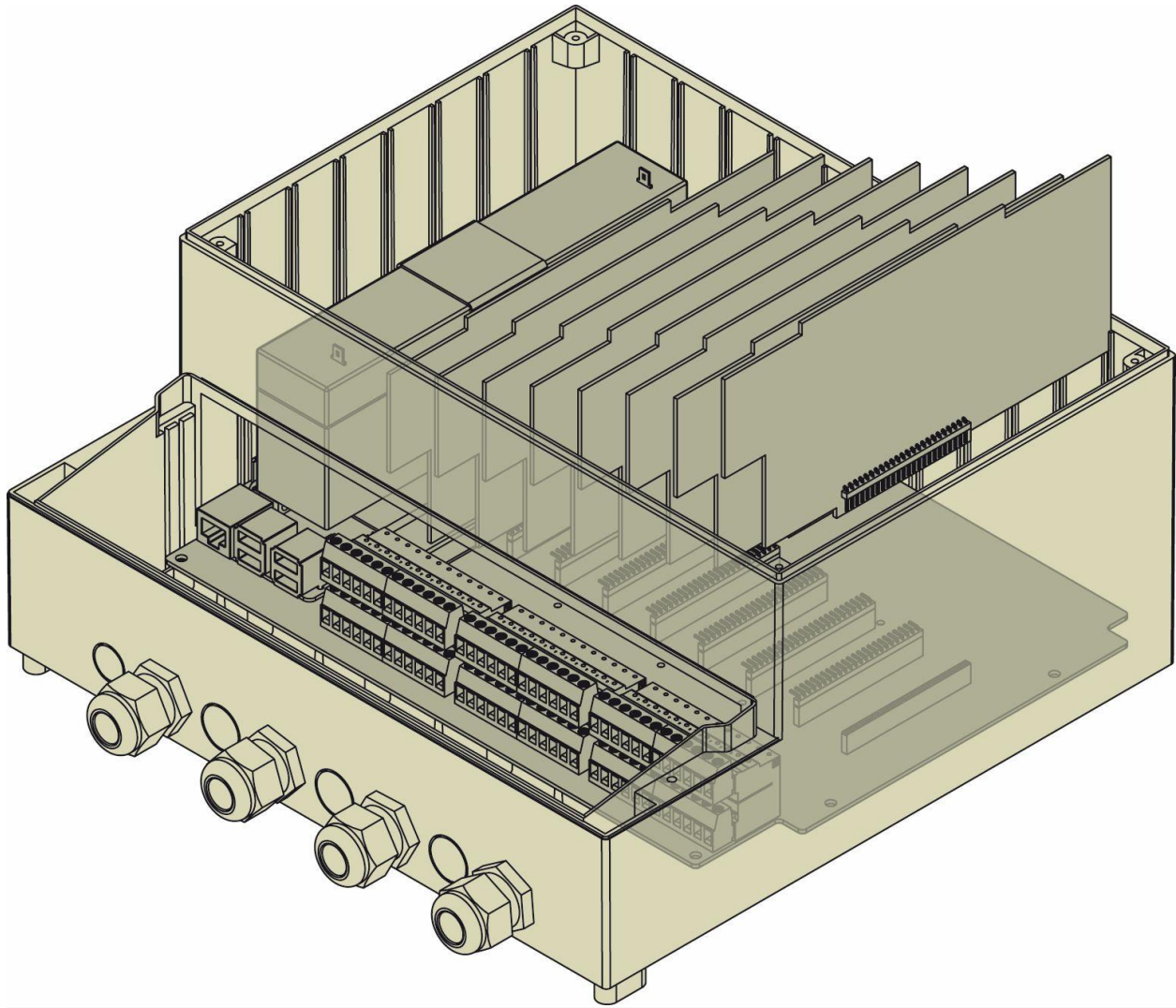




We have the ability to read a total of 8 inputs, be it wind, Generator, or main Grid E.C.T at the same time in Real-time measuring all power consumed





Unit can use up to 8 interface modules in different combinations

- Several communication options
- Modbus RTU Interface
- One Wire Interface



### Available Card Types



#### Electrical Measurement

##### Type EMA

1 x or 2 x Three Phase meters, up to 16 three phase measurement Lines (Common Voltage)

##### Type EMB

1 x Three Phase meter/network Analyzer



#### Analog IN/OUT

##### Voltage

2 x 0-10VDC In + 2 x -10VDC Out

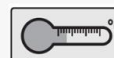
##### Current

2 x 0-20mA in + 2 x 0-20mA Out



#### Digital Input

6 x digital in 12-24VAC/DC - 230VAC

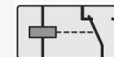


#### Temperature Sensors

2 x PT 100 input

1 x THJ probe

1 x i2C + 1 x One Wire for external sensors



#### Relay Output

6 x DC/AC Relay Output 10A



## The Complete Modular solution for energy monitoring and assets control

<b>Modular and Multifunctional Unit</b>	Compact and modular unit for energy monitoring. The ISEMU and ISEMCU family of units offer a wide selection of units aimed at energy monitoring and system management. They are pre-assembled units ready for installation in the field, equipped with a wide range of interfaces and data acquisition capabilities for the most diverse operational needs. The units are equipped with integrated data processing units and may have their own local WEB interface for data configuration and visualization. They have advanced IoT systems for data exchange and communication with any BMS or cloud systems. Unit can also be configured with other general purpose modules: digital in, digital out, PT100, 0-10V IN/out, 4-20mA in/out.
<b>Electrical measurement</b>	In its compact Din configuration the unit can host up to 16 three-phase, Type A measuring lines (shared voltages) or 8 three-phase Type B measuring lines (independent Voltages). I rms, V rms, I pk, V pk (each phase), Active, Reactive, Apparent Power, Inductive/reactive total/phase Power factor, Bi-directional total/phase energy active/reactive (inductive/capacitive)
<b>Accuracy</b>	Voltage (230-400VAC) +/- 0.5% RDG ( 10...100% Un ) Current +/- 0.5% RDG ( 5...100% In ) @5A Power - Active : +/- 0.5% RDG ; Reactive : +/- 0.5% RDG Active Energy: Class C i.a.w. EN50470-1/3 or Class 0,5 S i.a.w. EN62053-22 Reactive Energy: Class 0,5 S i.a.w. EN62053-24
<b>Current Transformers</b>	For maximum installation flexibility the same unit can interface both standard CT or the more advanced Voltage transformers (333mV) or Rogowski coils.
<b>Voltage measurement</b>	Depending on the version it may have common or independent Voltage measuring lines.
<b>Power</b>	9-24 VAC/DC
<b>Physical Interfaces</b>	Ethernet (RJ45), Modbus RTU, Power line (Narrow band)
<b>Wireless Interfaces</b>	Wifi 2.4GHz, Lora, NB-IOT
<b>Communication protocols</b>	Modbus RTU/TCP, MQTT
<b>Features</b>	Electrical power and energy measurements, tariffs configuration and automatic costs calculations per measured lines. Average, peak, demand over 15 minutes. Quad Core processor Integrated Web Interfaces and graphical UI. Local Data Base and data Storage up to 120Gb..
<b>Standards</b>	EN61000-6-2; EN61000-6-4; EN61000-4-2; EN61000-4-3; EN61000-4-4; EN61000-4-5; EN61000-4-6; EN61010-1; EN61010-2-30.
<b>Dimensions</b>	
<b>Weight</b>	300g
<b>Feeding and absorption</b>	230VAC
<b>Montage</b>	Wall/DIN Bar

iSEMU-M is a product of the family



Authorized seller



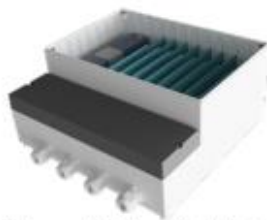


## The Complete solution for energy monitoring and control

**ISEMU-XEB** is an integrated modular unit for smart monitoring and BMS application. Fully configurable upon specific requirements. It can be an advanced three-phase energy meter and network analyzer, with up to 16 monitored three phase lines with advanced features, alarms with configurable thresholds, billing/tariffs management functions. The modular unit can also be configured to use digital IO, Analog IO, temperature sensors and relay to provide a wider range of functions.

Through the optional Modbus TCP gateway function and I2C/one wire interfaces, it can also acquire additional data from other devices in the field. It can directly interface any type of Current transformers, Current type (5A), Voltage type (333 mV), Rogowsky Coils. It can interface DC current sensors via Modbus RTU. Available as Modular DIN unit or IP65 Boxed.

It can be locally interfaced to any existing Monitoring or BMS system, or it can communicate through Wi-Fi or NB-IoT network (LTE-CAT.M1/LTE NB-IOT1, GPRS/EDGE) with the Technical Hypervision platform or the Affectli Digital Twin solution. The unit can be supplied as stand alone or with a number of advanced services depending on the requirements.



Unit can use up to 8 interface modules in different combinations

- Several communication options
- Modbus RTU Interface
- One Wire Interface

The same unit can use any type of current transformers, Simplified installations

- Current CT (5A)
- Voltage CT (333 mV)
- Rogowsky Coils
- DC Measurement devices



Hall Effect DC sensors  
50-500A



Rogowsky Coils  
Linear 0-1000A



Solid Core CT  
5A/333mV



Split Core CT  
5A/333mV



Ad-Hoc CT  
Customized solutions

### Available Card Types



**Electrical Measurement**  
**Type EMA**  
1 x or 2 x Three Phase meters, up to 16 three phase measurement Lines (Common Voltage)  
**Type EMB**  
1 x Three Phase meter/network Analyzer, up to 8 three phase measurement lines (independent voltage)



**Analog IN**  
3 x 0-10V/DC In  
3 x 0-20mA In



**Analog OUT**  
3 x 0-10V/DC Out  
3 x 0-20mA Out



**Digital Input**  
6 x digital in 12-24VAC/DC - 230VAC



**Temperature Sensors**  
2 x PT 100 input  
1 x THU probe  
1 x I2C + 1 x One Wire for external sensors



**Relay Output**  
6 x DC/AC Relay Output 10A